

Dial Indicators / Group 1 *Inch*



1411F

Dial Indicators *Specifications*

Inch-ANSI Standard (Stem Diameter 3/8")

Graduation	Total Range	Order No.	Range Per Rev.	Dial Reading	Accuracy 2-1/3 Rev.	Total Range Accuracy	Features	
.0001"	.025"	1802F-10	.01"	0-10	±.0001"	±.0002"	High Precision Type, Reverse Reading	
		1803F-10	.01"	0-5-0	±.0001"	±.0002"	High Precision Type, Reverse Reading	
.00025"	.05"	1470F	.02"	0-20	±.00025"	±.00025"	Reverse Reading	
		1470F-10	.02"	0-20	±.00025"	±.00025"	Reverse Reading, High Precision Type	
		1471F	.02"	0-10-0	±.00025"	±.00025"	Reverse Reading	
		1476F	.02"	0-20	±.00025"	±.0005"	Reverse Reading	
.0005"	.075"	1570F-10	.03"	0-30	±.0005"	±.0005"	Reverse Reading, High Precision Type	
		1571F-10	.03"	0-15-0	±.0005"	±.0005"	Reverse Reading, High Precision Type	
	.1"	1670F	.04"	0-40	±.0005"	±.0005"	Reverse Reading	
		1671F	.04"	0-20-0	±.0005"	±.0005"	Reverse Reading	
	.125"	.05"	1671F-10	.04"	0-20-0	±.0005"	±.0005"	Reverse Reading, High Precision Type
			1506F	.05"	0-50	±.0005"	±.0005"	Reverse Reading
.001"	.05"	1507F	.05"	0-25-0	±.0005"	±.0005"	Reverse Reading	
		1507F-10	.05"	0-25-0	±.0005"	±.0005"	Reverse Reading, High Precision Type	
	.075"	1400F-10	.02"	0-20	±.0005"	±.001"	Reverse Reading, High Precision Type	
		1401F-10	.02"	0-10-0	±.0005"	±.001"	Reverse Reading, High Precision Type	
	.1"	1580F-10	.03"	0-30	±.0005"	±.001"	Reverse Reading, High Precision Type	
		1581F-10	.03"	0-15-0	±.0005"	±.001"	Reverse Reading, High Precision Type	
	.125"	1404F-10	.04"	0-40	±.0005"	±.001"	Reverse Reading, High Precision Type	
		1405F-10	.04"	0-20-0	±.0005"	±.001"	Reverse Reading, High Precision Type	
	.25"	.05"	1780F	.05"	0-50	±.001"	±.001"	Reverse Reading
			1781F	.05"	0-25-0	±.001"	±.001"	Reverse Reading
.1"		1781F-10	.05"	0-25-0	±.001"	±.001"	Reverse Reading, High Precision Type	
		1410F	.1"	0-100	±.001"	±.001"	Reverse Reading	
.1"	1410F-10	.1"	0-100	±.001"	±.001"	Reverse Reading, High Precision Type		
	1411F	.1"	0-50-0	±.001"	±.001"	Reverse Reading		

The measuring force for all of the above indicators is 1.4N or less.

The conversion factor between Newton force and gram force is 1N=101.94gf.

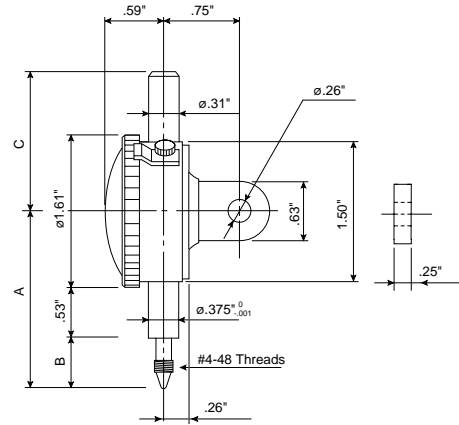
Lug back is standard; for flat-back version add 'B' to the order number, e.g. **1802B-10**.

High Precision Type	Reverse Reading	Balanced Dial	Continuous Dial	One Revolution
Damper at Lowest Rest Point	Shockproof	Adjustable Hand	Waterproof	Double Scale Spacing
Coaxial Revolution Counter	Peak Retaining	Long Stem	Dustproof	Jeweled
				Low Force

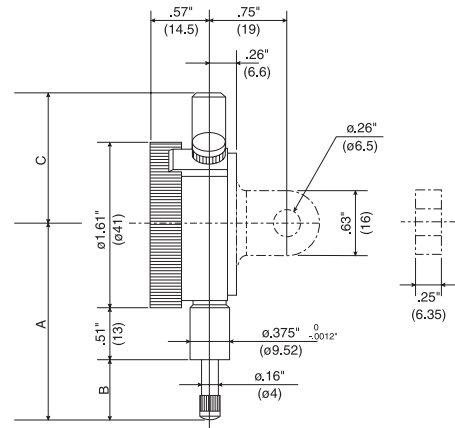
Dial Indicators / Group 1 Inch

Dimensions

Order No.	A	B	C
1802F-10	1.65"	.31"	1.09"
1803F-10	1.65"	.31"	1.09"
1470	1.69"	.36"	1.09"
1470-10	1.69"	.36"	1.09"
1471	1.69"	.36"	1.09"
1476	1.91"	.59"	1.28"
1570F-10	1.71"	.38"	1.09"
1571F-10	1.71"	.38"	1.09"
1670	1.73"	.40"	1.27"
1671	1.73"	.40"	1.27"
1671-10	1.73"	.40"	1.27"
1506F	1.77"	.44"	1.09"
1507F	1.77"	.44"	1.09"
1507-10	1.77"	.44"	1.09"
1400-10	1.65"	.36"	1.09"
1401-10	1.65"	.36"	1.09"
1580-10	1.71"	.38"	1.09"
1581-10	1.71"	.38"	1.09"
1404F-10	1.73"	.40"	1.27"
1405F-10	1.73"	.40"	1.27"
1780	1.77"	.44"	1.09"
1781	1.77"	.44"	1.09"
1781-10	1.77"	.44"	1.09"
1410F	1.89"	.56"	1.27"
1410-10	1.89"	.56"	1.27"
1411F	1.89"	.56"	1.27"

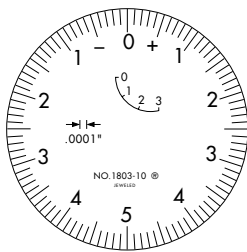


Unit: Inch (mm)

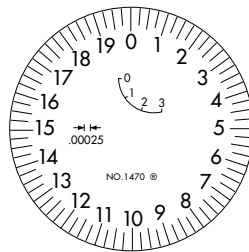


Dial Indicator Faces

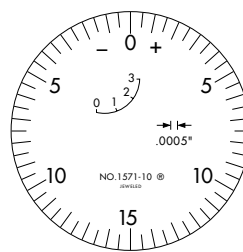
Group 1 – Inch



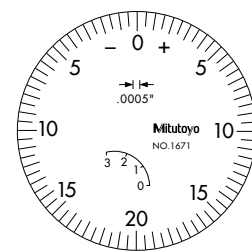
1803F-10



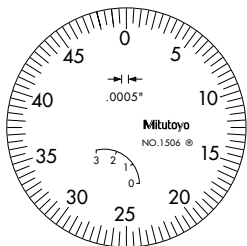
1470



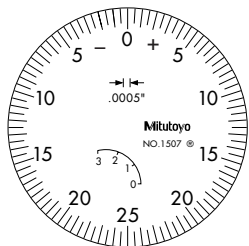
1571F-10



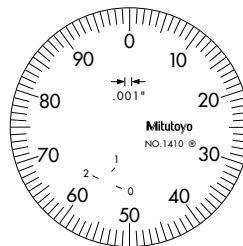
1671



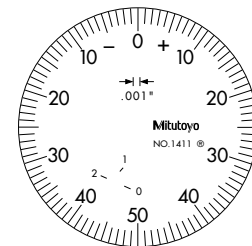
1506F



1507F



1410F



1411F

Dial Indicators / Group 1

Metric



1044-01

Specifications

Metric-ANSI Standard (Stem Diameter 3/8" with yellow dial face)

Graduation	Total Range	Order No.	Range Per Rev.	Dial Reading	Accuracy 2-1/3 Rev.	Total Range	Features
0.002mm	0.5mm	1010-11	0.2mm	0-20	±0.002mm		High Precision Type, Reverse Reading
		1011-11	0.2mm	0-10-0	±0.002mm		High Precision Type, Reverse Reading
0.01mm	2.5mm	1230-01	1mm	0-100	±0.01mm		Reverse Reading
		1231-01	1mm	0-50-0	±0.01mm		Reverse Reading
	5mm	1044-01	1mm	0-100	±0.01mm	±0.013mm	Reverse Reading
		1045-01	1mm	0-50-0	±0.01mm	±0.013mm	Reverse Reading

Metric-ISO/JIS Standard (Stem Diameter 8mm)

Graduation	Total Range	Order No.	Range Per Rev.	Dial Reading	Accuracy	Features
0.001mm	1mm	1109F	0.2mm	0-100-0	±0.007mm	High Precision Type, Reverse Reading, Balanced Dial
0.002mm	1mm	1013F	0.2mm	0-100-0	±0.01mm	Reverse Reading, Balanced Dial, High Precision Type
0.005mm	3.5mm	1124F	0.5mm	0-50	±0.013mm	Reverse Reading, High Precision Type
0.01mm	3.5mm	1040F	0.5mm	0-50	±0.013mm	Reverse Reading
		1041F	0.5mm	0-25-0	±0.013mm	Reverse Reading
	4mm	1003	1mm	0-50-0	±0.013mm	Reverse Reading
	5mm	1044F	1mm	0-100	±0.013mm	Reverse Reading
		1044F-60	1mm	0-100	±0.013mm	Reverse Reading, Peak Retaining
		1044F-10	1mm	0-100	±0.013mm	Reverse Reading, Low Force, High Precision Type
1045F	1mm	0-50-0	±0.013mm	Reverse Reading		

The measuring force for all of the above indicators is 1.4N or less, except for the following: **1044F-10**; 0.4N or less **1003**, **1013F**, **1040F**, **1041F**, **1044F**, **1045F**, **1109F**; 1.5N or less **1044F-60**; 2.0N or less.

The conversion factor between Newton force and gram force is 1N=101.94gf.

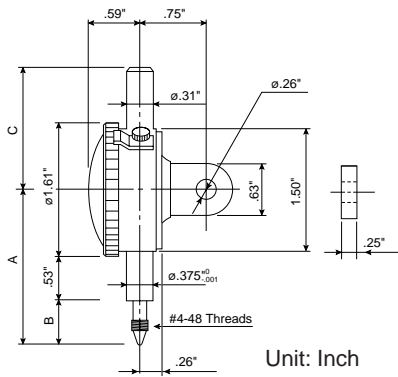
Lug back is standard; for flat back version add 'B' to the order number, e.g. **1003B**.

*ISO/JIS Type gages accuracy includes uncertainty k=2.

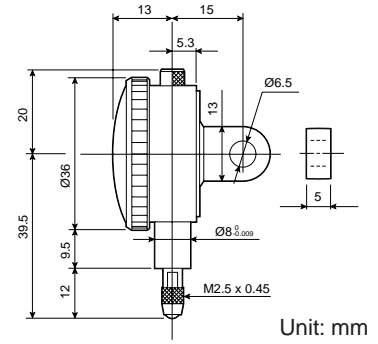
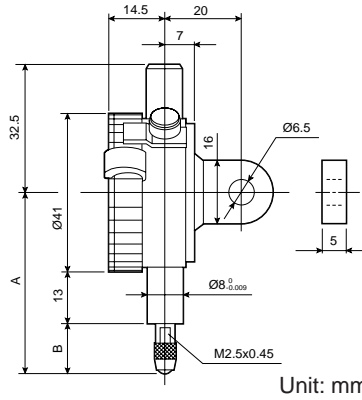
High Precision Type	Reverse Reading	Balanced Dial	Continuous Dial	One Revolution
Damper at Lowest Rest Point	Shockproof	Adjustable Hand	Waterproof	Double Scale Spacing
Coaxial Revolution Counter	Peak Retaining	Long Stem	Dustproof	Jeweled
				Low Force

Dial Indicators / Group 1 Metric

ANSI Standard



Metric Standard



1003

Dimensions

ANSI Standard

Order No.	A	B	C
1010-11	1.62"	.29"	1.51"
1011-11	1.62"	.29"	1.51"
1230-01	1.73"	.40"	1.27"
1231-01	1.73"	.40"	1.27"
1044-01	1.85"	.52"	1.27"
1045-01	1.85"	.52"	1.27"

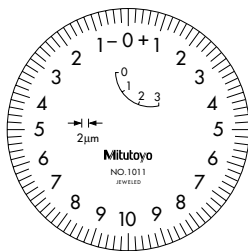
Dimensions

Metric Standard

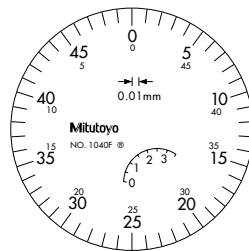
Order No.	A	B	Unit: mm
1109F	49	15.5	
1013F	49	15.5	
1124F	46	12.5	
1040F	46	12.5	
1041F	46	12.5	
1044F	47.5	14	
1044F-10	47.5	14	
1044F-60	57	25	
1045F	47.5	14	

Dial Indicator Faces

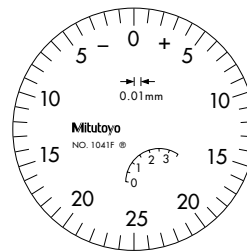
Group 1 – Metric



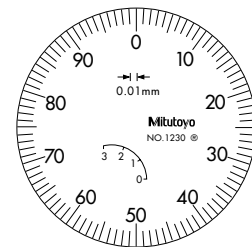
1011-11



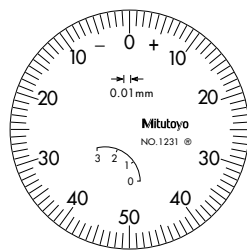
1040F



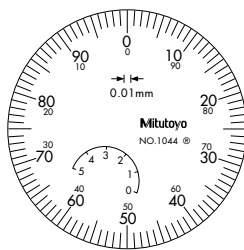
1041F



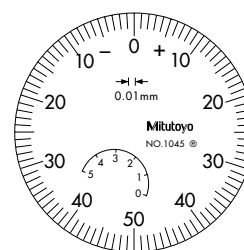
1230-01



1231-01



1044-01



1045-01