

# TEST INDICATORS

## Truetest™ Test Indicators Series 513



513-443  
White Face



513-443-06  
Black Face

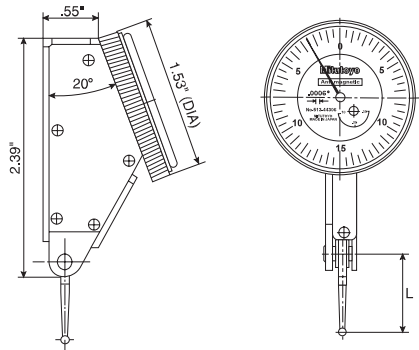
### Features

Mitutoyo introduces three new Series 513 dial indicators, each available in white, black or blue dial face colors. Each indicator features:

- Smooth spindle movement for increased measuring accuracy.
- Water and dust resistant one-piece black bezel and hard coated crystal for improved durability

- 20° tilted dial face for easy reading
- Anti-magnetic characteristics.

### Dimensions



### Specifications

#### Truetest™ Test Indicators

#### Inch

| Graduation | Range Per Revolution | Range | Dial Reading | Order No.  |             | Wide Range Accuracy | Dimension L | Remarks               |
|------------|----------------------|-------|--------------|------------|-------------|---------------------|-------------|-----------------------|
|            |                      |       |              | Basic      | Complete    |                     |             |                       |
| .0005"     | .03"                 | .06"  | 0-15-0       | 513-442    | 513-442T    | ±.0005"             | .78"        | White Dial Face       |
|            |                      |       |              | 513-442-01 | 513-442T-01 |                     |             | Blue Dial Face        |
|            |                      |       |              | 513-442-06 | 513-442T-06 |                     |             | Black Dial Face       |
| .0005"     | .03"                 | .06"  | 0-15-0       | 513-446    | 513-446T    | ±.0005"             | 1.33"       | White Face Long-point |
|            |                      |       |              | 513-446-06 | 513-446T-06 |                     |             | Black Face Long-point |
| .0001"     | .008"                | .016" | 0-4-0        | 513-443    | 513-443T    | ±.0002"             | .59"        | White Dial Face       |
|            |                      |       |              | 513-443-06 | 513-443T-06 |                     |             | Black Dial Face       |

| Complete                                      |                      | For ø5/32" and ø3/8" stems Swivel Clamp 900322 |
|---|----------------------|--|
| Basic   |                      |  |
| Indicator with a ø.078" carbide contact point | ø.039" contact point | Square arm 900306                              |
| ø3/8" stem 190321                             | ø.118" contact point |  |
| Nut 190322                                    | ø5/32" stem 190318   |  |