

Borematic with Absolute Encoder

Series 568



568-978

Measuring Force (per Anvil)

Range	.275-.5"	4-10N
Range	.5-5"	10-30N

Accuracy

Range	.275-.8"	.0002"
Range	.8-5"	.00025"

* Quantizing error ± 1 count.

Features

- LCD Readout .00005"/0.001mm.
- Carbide tipped contact points ensure long life.
- Efficient measurement using two measurement modes—ABS (absolute) and INC (incremental) modes.
- Can be linked to the M-SPC (Mitutoyo Statistical Process Control) system.
- Rotatable display unit for easy reading at any angle.
- Functions include: Origin setting, Origin restoration, Zero-setting, Presetting, Data hold, Error alarm, Low-battery alarm, Data output.
- Power supply: SR44 (button-type silver oxide cell), 1 pc.

Specifications

Borematic Interchangeable-Head Sets

Inch/Metric

Set Order No.	Set Measuring Range	Display Unit	Adaptor Supplied	Interchangeable Contact Heads	Individual Range	Setting Ring Supplied w/set
568-976	.275"- .5" 6.985-12.7mm	568-013	954595	952909	.275"-.35"/6.985-8.89mm	177-179(.35")
				952910	.35"-.425"/8.89-10.795mm	177-283(.425")
				952911	.425"-.5"/10.795-12.7mm	
568-977	.5"-1.0" 12.7-25.4mm	568-013	216556	952670	.5"-.65"/12.7-16.51mm	177-182(.65")
				952671	.65"-.8"/16.51-20.32mm	177-287(.8")
				952672	.8"-1.0"/20.32-25.4mm	
568-978	1.0"-2.0" 25.4-50.8mm	568-013	216557	952673	1.0"-1.2"/25.4-30.48mm	177-289(1.2")
				982149	1.2"-1.6"/30.48-40.64mm	177-291(1.6")
				982150	1.6"-2.0"/40.64-50.8mm	
				982178	2.0"-2.5"/50.8-63.5mm	177-315(2.5")
568-979	2.0"-4.0" 50.8-101.6mm	568-013	216558	982179	2.5"-3.0"/63.5-76.2mm	
				982180	3.0"-3.5"/76.2-88.9mm	177-319(3.5")
				982181	3.5"-4.0"/88.9-101.6mm	
				04AZA047*	2.0"-2.5"/50.8-63.5mm	177-315(2.5")
				04AZA048*	2.5"-3.0"/63.5-76.2mm	
568-980	2.0"-4.0" 50.8-101.6mm	568-013	216558	04AZA047*	3.0"-3.5"/76.2-88.9mm	177-319(3.5")
				04AZA048*	3.5"-4.0"/88.9-101.6mm	
					3.5"-4.0"/88.9-101.6mm	

* Two sets of interchangeable contact points are provided.

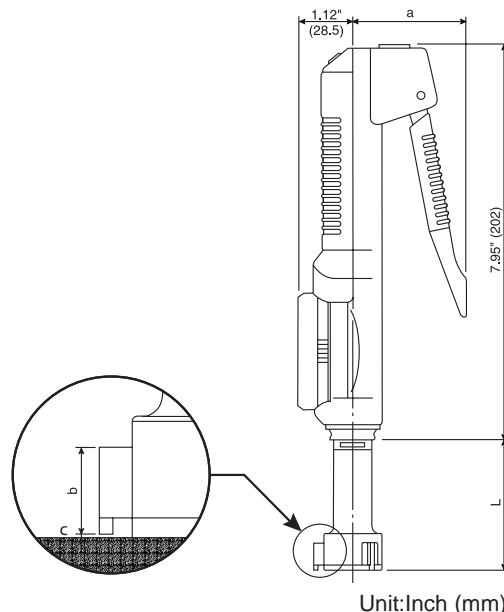
For SPC output order connecting cable 937387(40"/1m) or 965013(80"/2m).

Borematic with Absolute Encoder

Series 568



568-988



Optional Extension Rods for Measuring Deep Bores

Order No.	Length	Remarks
952322	3.94"(100mm)	for .275–.5" gages
952621	5.9"(150mm)	for .5–.8" gages
952622	5.9"(150mm)	for .8–2" gages
952623	5.9"(150mm)	for 2"–5" gages

Specifications

Borematic Complete-Unit Sets

Inch/Metric

Set Order No.	Set Measuring Range	Individual Order No.	Individual * Range	Setting Ring Supplied w/set
568-987	.275"–.5" 6.985–12.7mm	568-431	.275"–.35"/6.985–8.89mm	177-179(.35")
		568-432	.35"–.425"/8.89–10.795mm	177-283(.425")
		568-433	.425"–.5"/10.795–12.7mm	
568-988	.5"–1" 12.7–25.4mm	568-434	.5"–.65"/12.7–16.51mm	177-182(.65")
		568-435	.65"–.8"/16.51–20.32mm	177-287(.8")
		568-436	.8"–1.0"/20.32–25.4mm	
568-989	1.0"–2.0" 25.4–50.8mm	568-437	1.0"–1.2"/25.4–30.48mm	177-289(1.2")
		568-438	1.2"–1.6"/30.48–40.64mm	177-291(1.6")
		568-439	1.6"–2.0"/40.64–50.8mm	
568-990	2.0"–3.0" 50.8–76.2mm	568-440	2.0"–2.5"/50.8–63.5mm	177-315(2.5")
		568-441	2.5"–3.0"/63.5–76.2mm	
568-991	3.0"–4.0" 76.2–101.6mm	568-442	3.0"–3.5"/76.2–88.9mm	177-319(3.5")
		568-443	3.5"–4.0"/88.9–101.6mm	
568-992	2.0"–4.0" 50.8–101.6mm	568-446*	2.0"–2.5"/50.8–63.5mm	177-315(2.5")
			2.5"–3.0"/63.5–76.2mm	
		568-447*	3.0"–3.5"/76.2–88.9mm	177-319(3.5")
			3.5"–4.0"/88.9–101.6mm	
		568-448*	4.0"–4.5"/101.6–114.3mm	
		568-448*	4.5"–5.0"/114.3–127mm	

* Two sets of interchangeable contact points are provided.
For SPC output order connecting cable 937387(40"/1m) or 965013(80"/2m).